



ROYAL
WAGENBORG



**S
S
A
C
-
N**

N-CLASS VESSELS

Nassauborg 2005

GENERAL PARTICULARS

DWAT 20.396
 DWCC Summer 19.600
 DWCC Winter 19.000
 GT 16.037
 NT 6.827

Lenght over all 174,10 m
 LBPP 165,70 m
 Breadth over all 22,00 m
 Moulded depth 12,80 m
 Draught Summer 9,000 m
 Draught Winter 8,828 m
 Height WL-HC in ballast 10,51 m
 Airdraft in ballast 35,50 m

Built 2006
 Shipyard Mawai Shipyard
 Flag Dutch
 Homeport Delfzijl
 Ice Class Finnish/Swedish 1A Super
 Class Notation +100A1 + LMC UM NAV1, Ice Class A1, IWS, LI

ENGINE

Main engine MAN B&W, 9.840 kW at 136 rpm
 Propeller Wärtsilä/Lips, 4 blades, 4.800 mm
 Bowthruster 750 kW

INSURANCE

Classification Lloyds Register of Shipping
 P&I Club North of England P&I Association

HOLDS/HATCHES

Type of holds

Fully open hatch – no understow
 Fully box and double skinned
 Fully square – except box structures due to vessel's outer shape.

Cubic capacity hold 1. 5.523 m³ 195.042 cbft
 Cubic capacity hold 2. 7.211 m³ 254.680 cbft
 Cubic capacity hold 3. 7.211 m³ 254.680 cbft
 Cubic capacity hold 4. 6.472 m³ 230.514 cbft
 Total capacity 26.472 m³ 934.916 cbft

Dimensions hold 1 24.80 x 18.80 x 14.00 m
 Dimensions hold 2 27.40 x 18.80 x 14.00 m
 Dimensions hold 3 27.40 x 18.80 x 14.00 m
 Dimensions hold 4 24.80 x 18.80 x 14.00 m
 Max pressure Tanktop 14.50 t/m²
 Max pressure tweendeck 2.00 t/m²
 Max pressure weatherdeck 2.00 t/m²

TWEENDECKS

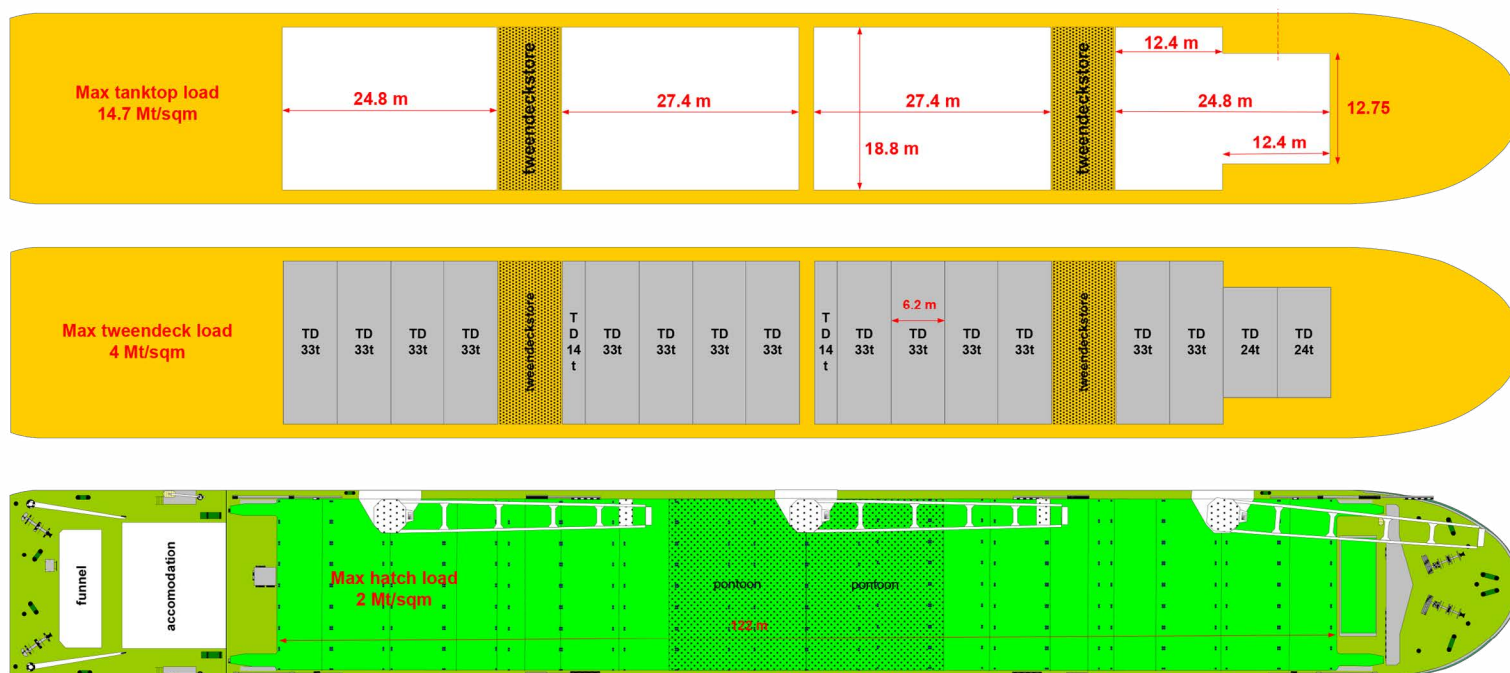
Panel nr. 1 9,90 x 3,22 x 0,90 m
 Panel nr. 2 + 3 12,57 x 6,48 x 0,90 m
 Panel nr. 4 - 18 17,65 x 6,48 x 0,90 m

CARGO CRANES

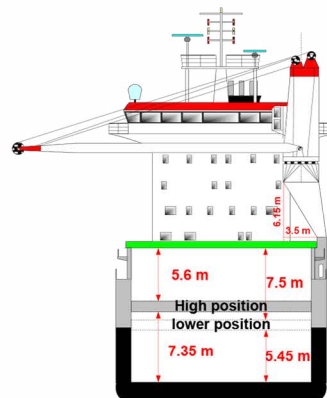
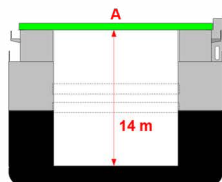
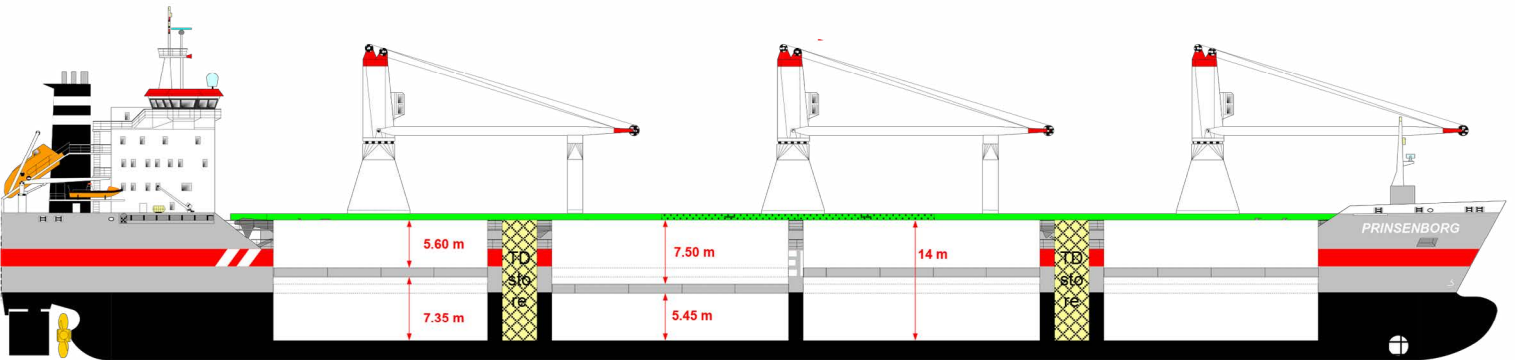
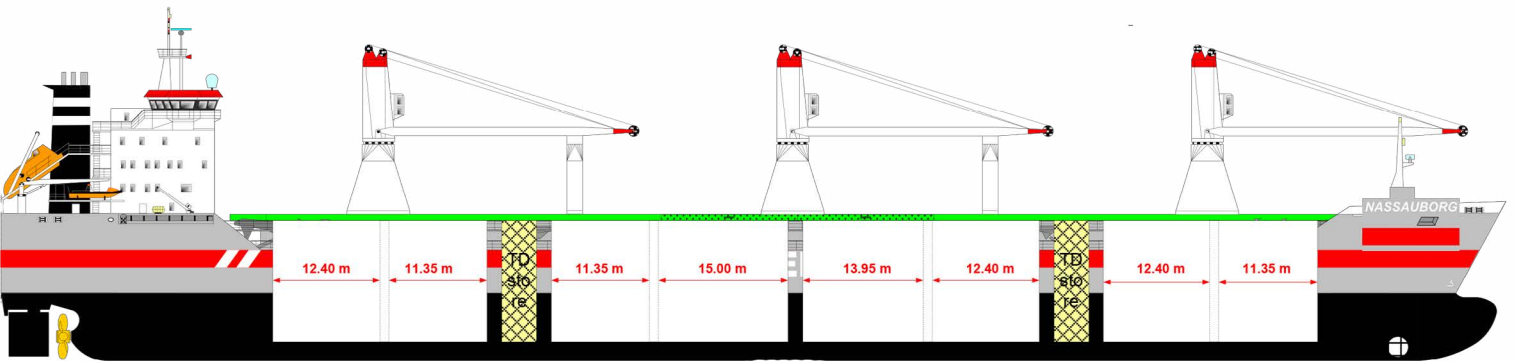
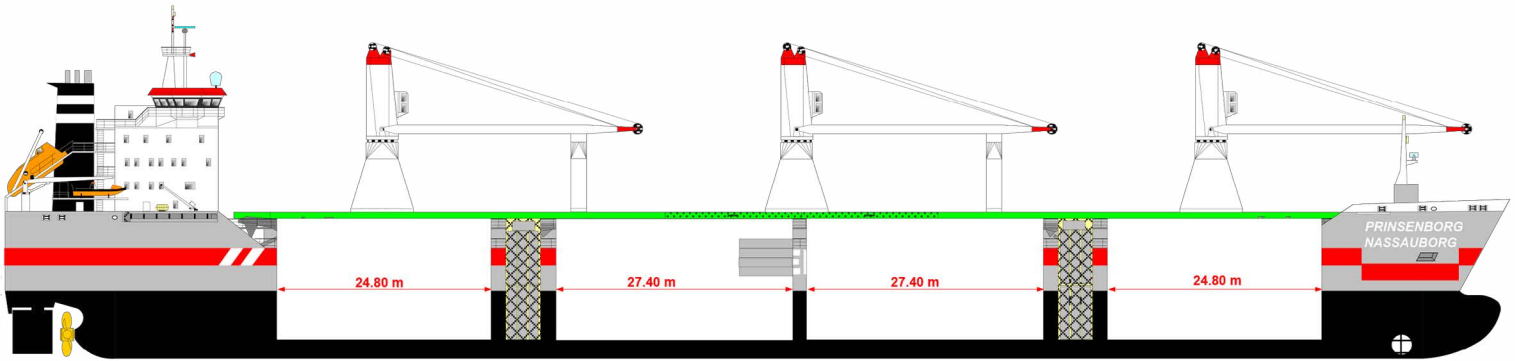
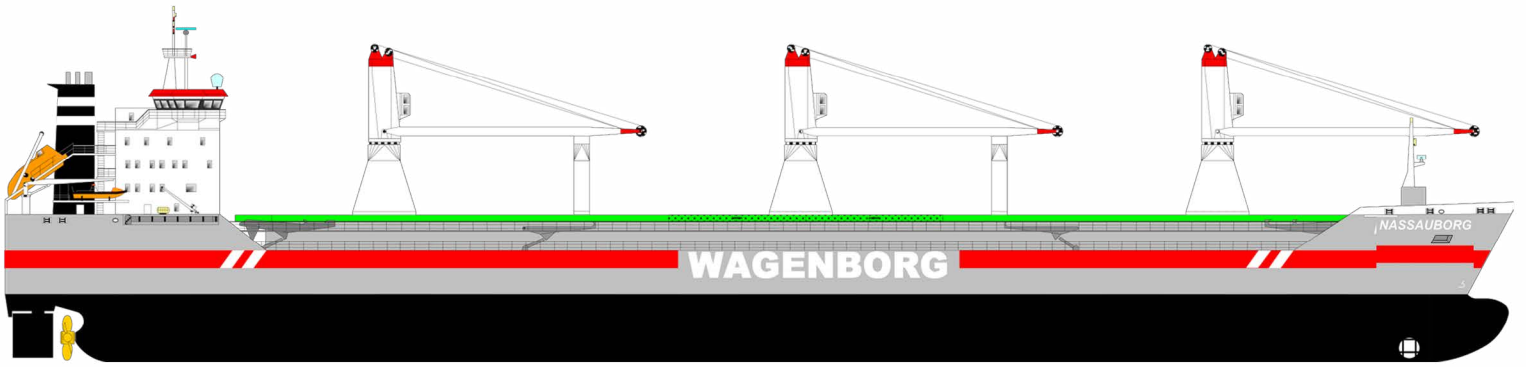
Gearless / geared Geared
 Lifting capacity 3 x 55 mts @ 16m
 Jib reach 28,70 m
 SNL (t) 35 t
 SNL (max) 55 t

FUEL OIL SPECIFICATION

HFO as per ISO 8217:2010 RMG 380
 MGO as per ISO 8217:2010 DMA
 Within: ECA area t/c operation to be responsible for sulphur limit compliance



Particulars believed to be correct, but not guaranteed.



Wagenborg Shipping is a member of Royal Wagenborg. Founded in 1898, the company continuously invests in various means of transport to serve the needs of a broad variety of customers by sea, shallow water and road offering a complete chain of transport.

Wagenborg companies are, amongst others, involved in shipping, stevedoring, forwarding, crane rental, heavy lifting, heavy transport, oil- and gas related services, towage and passenger services. Our integrated logistics solutions are flexible and reliable, provided by our dedicated crew of more than 3,000 employees.

Royal Wagenborg has identified quality, health, safety and the environment as key factors. Wagenborg Shipping manages its quality according to the ISO 9001, ISO 14001 and AEO. Our cargo vessels are ISM and ISPS-certified.

Head office:

WAGENBORG SHIPPING B.V.

Marktstraat 10, 9934 CK Delfzijl
P.O. Box 14, 9930 AA Delfzijl
The Netherlands
T +31 596 636 911
E chartering@wagenborg.com

Agency / Clearance at Delfzijl, Eemshaven and Groningen:

WAGENBORG AGENCIES B.V.

Handelskade Oost 21, 9934 AR Delfzijl, The Netherlands
P.O. Box 14, 9930 AA Delfzijl
T +31 596 636 254
E agency@wagenborg.com

Agency/Clearance at Amsterdam, Beverwijk and Umuiden:

WAGENBORG AGENCIES B.V.

Vredeweg 36A, 1505 HH Zaandam, The Netherlands
T +31 75 615 98 32
E agency.amsterdam@wagenborg.com

Agency/Clearance at Rotterdam, Dordrecht and Moerdijk:

WAGENBORG AGENCIES B.V.

Ridderhaven 27, 2984 BT Ridderkerk, The Netherlands
T +31 180 465 215
E agency.rotterdam@wagenborg.com

WAGENBORG STEVEDORING B.V.

Handelskade Oost 21, 9934 AR Delfzijl, The Netherlands
P.O. Box 14, 9930 AA Delfzijl
T +31 596 636 911
E stevedoring@wagenborg.com

WAGENBORG PROJECTS & LOGISTICS B.V.

Marktstraat 10, 9934 CK Delfzijl, The Netherlands
P.O. Box 14, 9930 AA Delfzijl
T +31 596 636 966
E logistic@wagenborg.com

WAGENBORG PROJECTS & LOGISTICS B.V.

Ridderhaven 27, 2984 BT Ridderkerk, The Netherlands
T +31 180 41 1169
E logistic@wagenborg.com

Branch office Sweden:

WAGENBORG SHIPPING SWEDEN AB

Hans Michelsengatan 1B
P.O. Box 207, SE-201 22 Malmö, Sweden
T +46 409 37 100
E chartering.sweden@wagenborg.se

Branch office North America:

WAGENBORG SHIPPING NORTH AMERICA INC.

507 Place d'Armes, Suite 2100
Montreal, Quebec
H2Y 2W8
Canada
T +1 514 288 8282
E info@wagenborgna.ca

Branche office Spain:

Wave Shipping

Calle Lira, N° 1. Esc. Izq., 1° B.
28007 Madrid, Spain
T +34 917 253 763
E wave@waveship.com

